

UTP3-GSW16



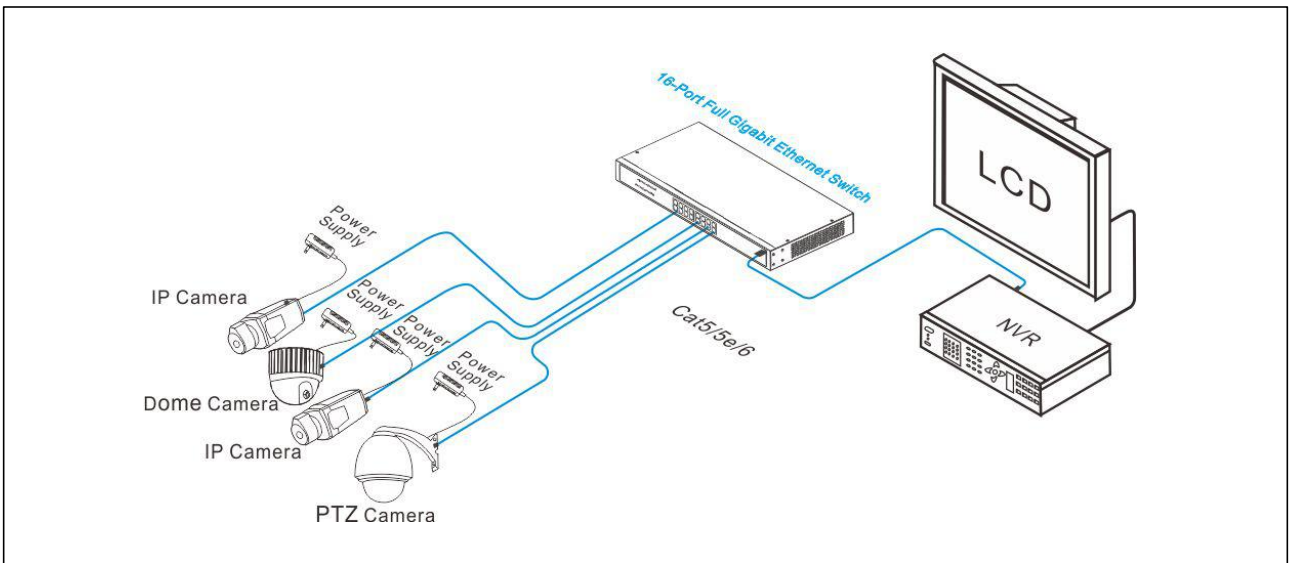
- Provide 16*10/100/1000Base-T RJ45 ports.
- Support 6KV surge protection for port and power supply.
- Support 44G switch fabric and 9K jumbo frame.
- Support 5 operating modes (Standard, SAG&LP, VLAN, LOCK, ISOL)
- Support powered by PoE (port 16) or AC power.
- Plug and play, 13" housing, desktop & rack-mount design.



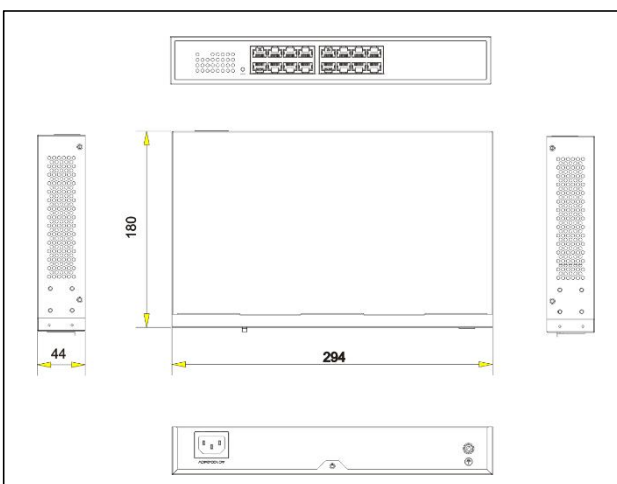
Overview

UTP3-GSW16, 16 ports full gigabit unmanaged mental Ethernet switch, is specially designed for security industry. It provides 16*10/100/1000Base-T RJ45 ports, equipped with 6KV surge immunity and can protect the device from the damage by direct lightning and keep the stable transmission. Unique 5 operating modes, including Standard, SAG&LP, VLAN, LOCK, ISOL, it ensures the reliability of data transmission. The UTP3-GSW16 is widely used in security video monitoring and network engineering etc.

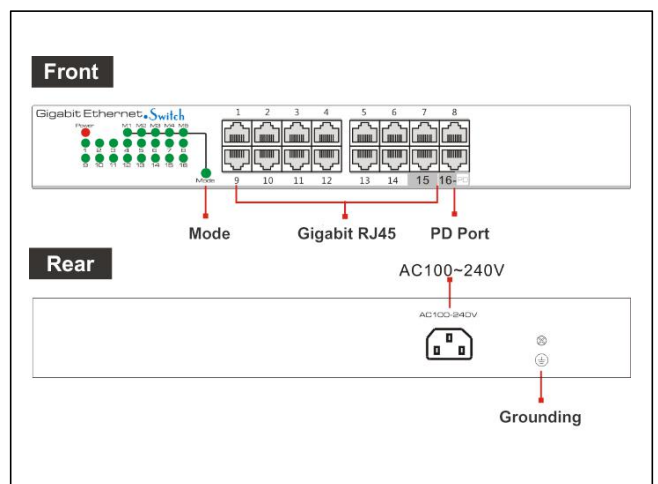
Application



Dimension



Board Diagram



Speicification

Mode	UTP3-GSW16
Interface	16*10/100/1000Base-T Ethernet ports
Protocol	IEEE 802.3 , EEE 802.3 i, IEEE 802.3u, IEEE 802.3ab, IEEE 802.3x, 802.3ab, IEEE 802.3af
Switch Fabric	44Gbps
Interface Cache	2.5M
MAC Address Table	8K
Indicator	1-16: Link/Act , connecting (ON), transmitting (Blink), linkage fault (OFF) M1-5: Enable corresponding operating mode (ON), Disable (OFF) Power: normal (ON), fault (OFF)
Operating Mode	<p>M1(STANDARD): Disable flow control of all ports, which is suitable for low-speed & non-disk networking such as cloud course & cloud desktop.</p> <p>M2(SAG & LP): All ports support automatic detection and block for loop links, and the last two ports could be an aggregation group. The mode is suitable to engineering fields such as video monitoring, requiring for high bandwidth and reliability.</p> <p>M3(VLAN): Port 1 to 14 are isolated respectively, but can communicate with Port 15 and 16, preventing the system from IP address conflict.</p> <p>M4(LOCK): Limit MAC learning with learning number per port is 1 and mark the port with 'lock' status, preventing the system from ARP attack.</p> <p>M5(ISOL): Isolation between Port 1-8 and Port 9-16, which can be used for isolation of monitoring system and office network, to ensure the complete network data.</p>
Surge Protection (Port)	6KV, IEC61000-4-8
Surge Protection (Power Supply)	6KV common mode , 4KV different mode. IEC61000-4-8
ESD Protection	Contact discharge 6KV, air discharge 8KV. IEC61000-4-2
Input Power	100-240V ~ 50/60Hz or IEEE802.3af PoE (Port 16)
Operation Temperature	-10°C~50°C
Storage Temperature	-40°C~85°C
Operation Humidity	5%-95% (Non-condensing)
Dimension (L*W*H)	274*180*44mm (L*W*H)
Certification	CE, FCC, RoHS

Packing List

ITEM	QTY
Ethernet Switch	1 pc
Power Cable	1 pc
User Manual	1 pc

Related Product

NAME	MODEL
8 Ports Full Gigabit Unmanaged Mental Ethernet Switch	SG8-M
24 Ports Full Gigabit Unmanaged Mental Ethernet Switch	UTP3-GSW24